

ELECTRIC HOLDING FURNACE FOR ALUMINUM

TECHNICAL SPECIFICATIONS

WITHOUT CRUCIBLE - ELECTRICALLY HEATED



CHARACTERISTICS:

- The refractory in contact with the molten metal has great resistance to the formation of Aluminum oxide.
- Regulated furnace power with thyristors and a special system for temperature control.
- Removable upper cover of furnace for easy free access for inspection and cleaning.

STANDARD SUPPLY:

- Welded steel construction and with high efficiency isolation lining.
- Furnace high adjustment with lifting screws.
- Precise temperature control of molten metal due to easy regulation instruments and thyristor control.
- Alarm for open circuit and incorrect connection of temperature sensors.



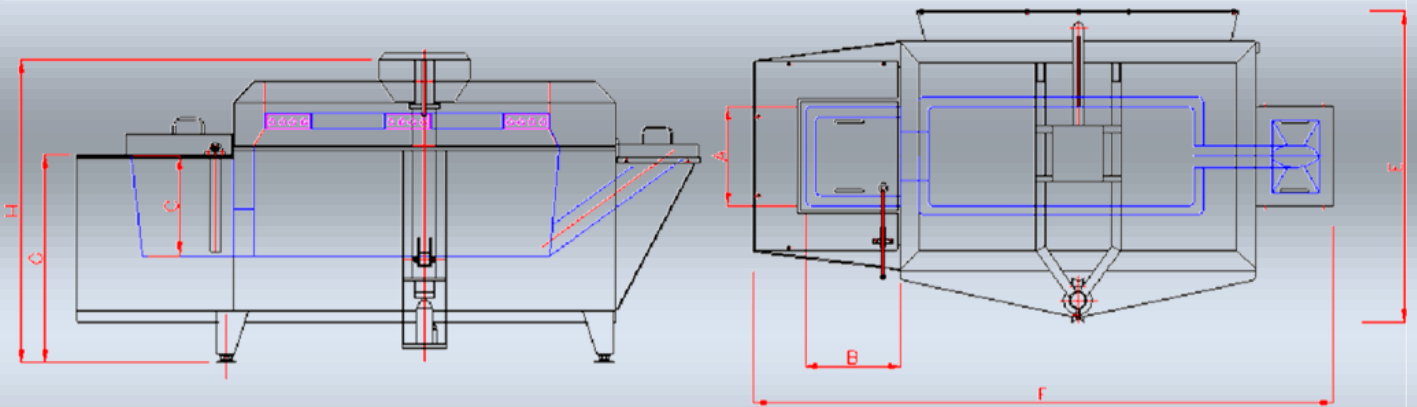


STEEL FRAME CONSTRUCTION WITH HYDRAULIC TILTING OPTION



TECHINICAL SPECIFICATIONS

FURNACE	CAPACITY	POWER	CONSUMPTION	DIMENSIONS						
STOTHERM®	Kg Al	kW	kWh	A	B	C	E	F	G	H
500	500	19,5	5 - 9	400	400	450	1500	2060	980	1425
800	800	19,5	6 - 10	500	400	450	1580	2557	980	1425
1200	1200	19,5	8 - 12	500	500	450	1580	3057	980	1425
2000	2000	39	10 - 14	750	690	620	1580	3175	920	1365
3000	3000	54	12 - 16	980	690	620	2100	3850	920	1700



COMPLETE STOTHERM® MODELS

500 - 800 - 1000 - 1200 - 2000 - 3000 - 4000



HORNOS Y METALES S.A.

Las Marineras, 13-17 E-28.864 Ajalvir-Madrid-España

T° +34 918 874 039

Fax. +34 918 844 382

e-Mail : hormesa@hormesa.com

www.hormesa.com - www.conticast.com